

Antenna Genius 8x2 – Manual control

AG 8x2 switch does not have any automation build in.

Switching ports is done by providing control signals for side A or side B, on dedicated 16 pins connectors.

Two jumpers, close to dedicated 15 pins connector are selecting which signal can be used for controlling port – plus 12V or GND.

On the photo both jumpers are selected to use plus 12V as control signals.

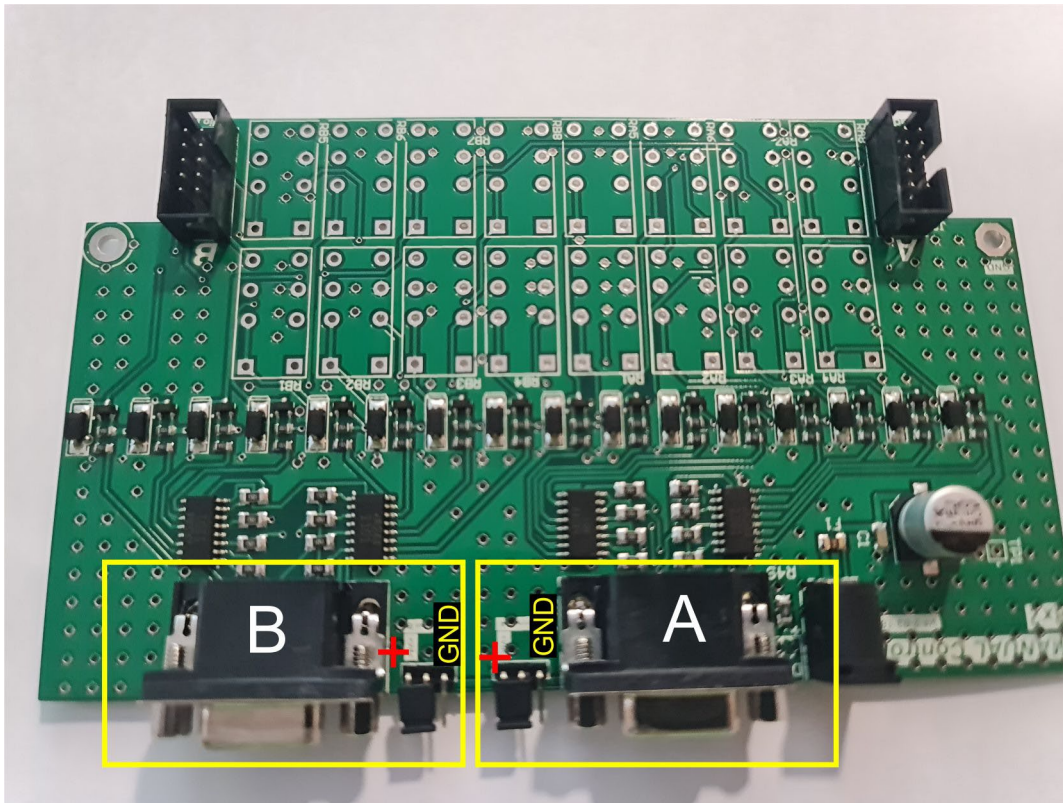


PHOTO 1 – PCB with connectors

On the photo 2 is shown pins layout on 15 pins connectors.

- Pins 1 to 8 – to switch ports from 1 to 8
- Pins 11/12 – GND
- Pins 9/10 - +12V
- Pin 15 – Common mode (common PLUS0 when GND is selected on jumper as control signal)

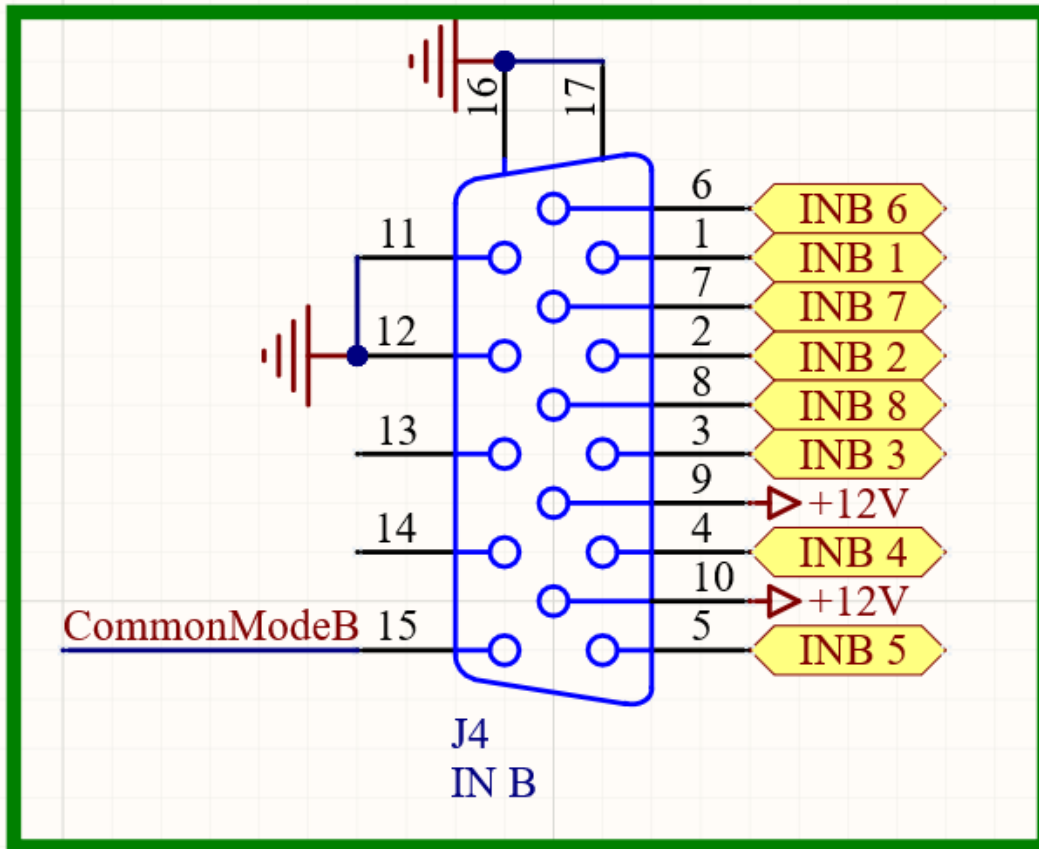


Photo 2