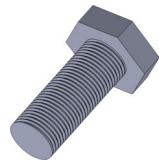




M4 Flat Head Screw
x 14



M3 Pan Head Screw
x 4



M6 Bolt
x 4



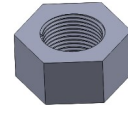
M6 Bolt
x 4



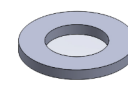
M5 Ground Screw
X 1



Star Washer
x 1



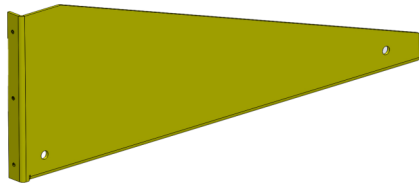
M5 Bolt
x 1



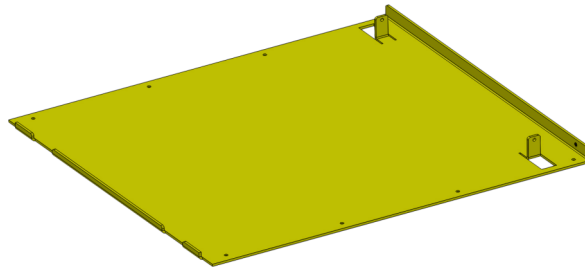
Washer
x 2



Wing Nut
x 1



Rack Mount Side Panel
X 2 (one left, one right)



Rack Mount Bottom Panel X 1



Rack Mount Front Panel X 1

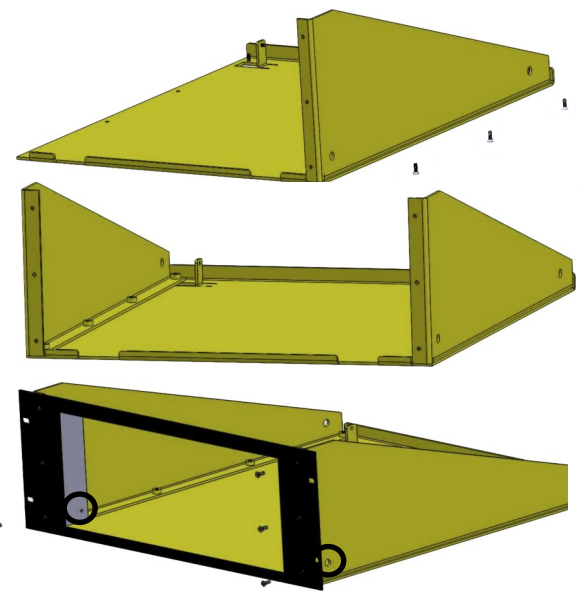
Verify contents of the box

Assembling the Rack Mount Shelf

Step 1: Insert four M4 Flat Head Screws from underneath the bottom panel into the threaded holes on the bottom of the rack mount side panel. Ensure the orientation is correct with the smaller end of the side panel at the back by the L bracket.

Step 2: Repeat step 1 on the other side.

Step 3: Align the front panel with the six screw holes on the front. When aligning the front panel make sure the hole on the inside of the front panel is at the bottom so it aligns with the hole on the side panel. These holes enable you to access the screw in later step. Use six M4 screws to connect the front panel to the side panels.



Rack Mount Shelf Installation

Note: Attaching the PGXL to the Rack Mount Shelf using steps 1-3 is optional. If you plan to just place the PGXL on the Rack Mount Shelf, skip to step 4.

Step 1: Remove the four screws on the side of the PGXL that secure the top panel. Save these for later use if you decide to remove the PGXL from the shelf.

Step 2: Place the PGXL on the shelf and align the holes on the side of the PGXL to the holes on the rack shelf.

Step 3: Use four M3 screws to attach the PGXL to the shelf. There are holes on the side panels that allow you to insert your screwdriver through them. Screw them in one at a time carefully so that you don't tighten any one of them too hard causing other holes to fall out of alignment. Once all four screws are in you can then then tighten them.

Step 4: Insert the ground screw in the hole on the back of the shelf from the inside out. Add the star washer, M5 bolt, 2 washers and finally, the wing nut.

Step 5: Use four M6 bolts and four M6 nuts to attach the mounted PGXL to a rack.

